

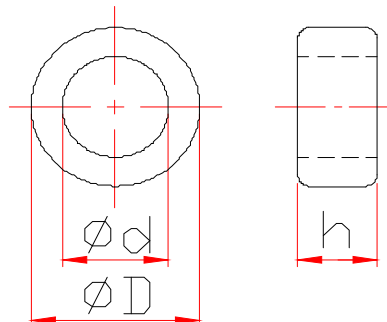
THORNTON

Thornton
Eletrônica Ltda

NT

Parâmetros Efetivos do Núcleo:

MODELO	$\Sigma I/A$ mm ⁻¹	Le mm	Ae mm ²	Ve mm ³
NT-15/8,5/25	0,437	35,001	80,155	2805,5
NT-15/9,5/25	0,543	37,18	68,44	2544,3
NT-15/9,5/28	0,484	37,18	76,81	2855,8
NT-19/11/6	1,92	44,9	23,4	1050,2
NT-19/11/12	0,958	44,9	46,82	2100,3
NT-23/14/8	1,58	55,8	35,3	1968,0
NT-23/14/10,1	1,253	55,8	44,53	2484,63
NT-23/14/11	1,151	55,8	48,50	2706,03
NT-27/16/12	1,00	64,6	64,5	4164,9
NT-35/22/15	0,90	86,4	95,77	8274,06
NT-35/22/17,5	0,773	86,4	111,73	9653,05
NT-35/22/22	0,615	86,4	140,46	12135,29



Dimensões em mm

DESCRIÇÃO DE ENCOMENDA	MAT.	Al [nH]	Tol.%	Ø D	Tol.	Ø d	Tol.	h	Tol.	PESO ~g
NT-15/8,5/25-1000-ELM4	ELM4	1000	± 30	15,0	± 1,0	8,5	± 1,0	25	± 0,8	13,30
NT-15/8,5/25,4-6500-IP12R	IP12R	6500	± 25	15,0	± 1,0	8,5	± 1,0	25,4	± 0,5	13,30
NT-15/8,5/28-7000-IP12R	IP12R	7000	± 25	15,0	± 1,0	8,5	± 1,0	28,5	± 0,8	13,30
**NT-15/9,5/25-6000-TH50	TH50	6000	min.	15,0	± 1,0	9,5	± 1,0	25,4	± 0,5	12,50
**NT-15/9,5/28-12000-TH50	TH50	12000	± 25	15,0	± 1,0	9,5	± 1,0	28,5	± 0,5	14,00
**NT-19/11/6-1300-IP6	IP6	1300	± 25	19,0	± 0,6	11,0	± 0,35	6,0	± 0,2	5,20
**NT-19/11/6-1300-IP12R	IP12R	1300	± 25	19,0	± 0,6	11,0	± 0,35	6,0	± 0,2	5,20
**NT-19/11/6-2200-TH50	TH50	2200	± 25	19,0	± 0,6	11,0	± 0,35	6,0	± 0,2	5,20
**NT-19/11/12-2600-IP12E	IP12E	2600	± 25	19,0	± 0,6	11,0	± 0,35	12,0	± 0,2	10,60
**NT-19/11/12-2600-IP12R	IP12R	2600	± 25	19,0	± 0,6	11,0	± 0,35	12,0	± 0,2	10,60
**NT-19/11/12-4400-TH50	TH50	4400	± 25	19,0	± 0,6	11,0	± 0,35	12,0	± 0,2	10,60
**NT-23/14/8-1700-IP12R	IP12R	1700	± 25	23,0	± 1,0	14,0	± 1,0	8,0	± 0,5	9,78
**NT-23/14/8-1700-IP6	IP6	1700	± 25	23,0	± 1,0	14,0	± 1,0	8,0	± 0,5	9,78
**NT-23/14/8-1700-IP12E	IP12E	1700	± 25	23,0	± 1,0	14,0	± 1,0	8,0	± 0,5	9,78
**NT-23/14/10,1-3600-TH50	TH50	3600	min.	23,0	± 1,0	14,0	± 1,0	10,1	± 0,5	12,32
**NT-23/14/11-2500-IP12R	IP12R	2500	± 25	23,0	± 1,0	14,0	± 1,0	11,0	± 0,5	13,60
**NT-23/14/11-4400-TH50	TH50	4400	± 25	23,0	± 1,0	14,0	± 1,0	11,0	± 0,5	13,60
**NT-27/16/12-2700-IP12R	IP12R	2700	± 25	27,0	± 0,7	16,0	± 0,5	12,0	± 0,5	22,0
**NT-27/16/12-2700-IP6	IP6	2700	± 25	27,0	± 0,7	16,0	± 0,5	12,0	± 0,5	22,0
**NT-27/16/12-2700-IP12E	IP12E	2700	± 25	27,0	± 0,7	16,0	± 0,5	12,0	± 0,5	22,0
**NT-27/16/12-6000-TH50	TH50	6000	± 25	27,0	± 0,7	16,0	± 0,5	12,0	± 0,5	22,5
**NT-35/22/15-3000-IP12R	IP12R	3000	± 25	35,0	± 1,0	22,0	± 1,0	15,0	+1,0	40,0
**NT-35/22/15-3000-IP6	IP6	3000	± 25	35,0	± 1,0	22,0	± 1,0	15,0	+1,0	40,0
**NT-35/22/15-3200-IP12E	IP12E	3200	± 25	35,0	± 1,0	22,0	± 1,0	15,0	+1,0	40,0
**NT-35/22/15-5000-TH50	TH50	5000	± 25	35,0	± 1,0	22,0	± 1,0	15,0	+1,0	40,0
**NT-35/22/17,5-3400-IP12R	IP12R	3400	± 25	35,0	± 1,0	22,0	± 1,0	17,5	± 0,5	46,7
**NT-35/22/17,5-3700-IP12E	IP12E	3700	± 25	35,0	± 1,0	22,0	± 1,0	17,5	± 0,5	46,7
**NT-35/22/22-4100-IP12R	IP12R	4100	± 25	35,0	± 1,0	22,0	± 1,0	22,0	± 0,5	60,30
**NT-35/22/22-4100-IP12E	IP12E	4100	± 25	35,0	± 1,0	22,0	± 1,0	22,0	± 0,5	60,30
**NT-35/22/22-8000-TH50	TH50	8000	+50/-25	35,0	± 1,0	22,0	± 1,0	22,0	± 0,5	60,30

Nota 1: ** Poderão ser fornecidos com ou sem pintura

Nota 2: Em caso de fornecimento com pintura, as cotas externas ficam com dimensões máximas ampliadas em 0,25mm, e cotas internas ficam com dimensões mínimas reduzidas em 0,25mm.

Outros Al's mediante consulta